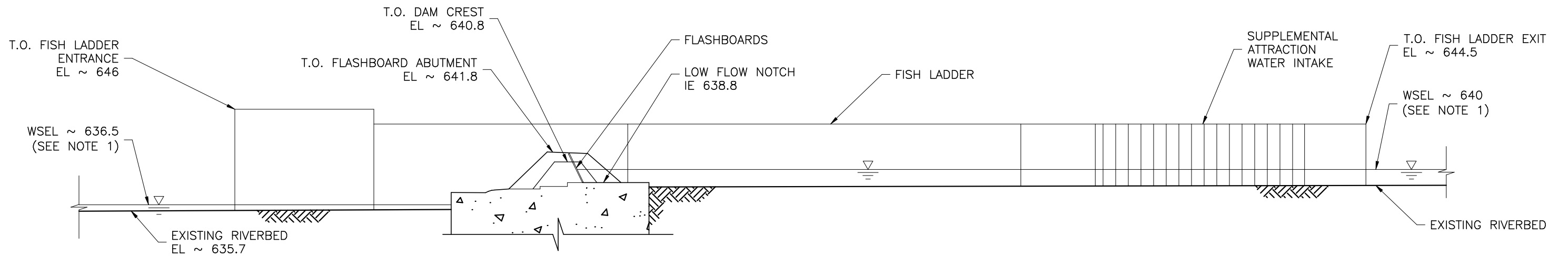
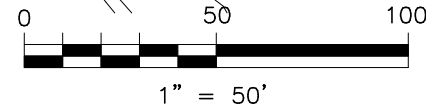
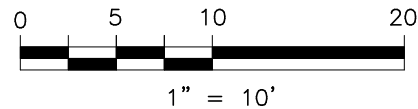


PLAN



SECTION A-A



NOTE:
 1. WATER SURFACE ELEVATIONS AND
 EDGE OF WATER BOUNDARIES
 FROM TIME OF SURVEY
 (WILLIAM WELLS, 7/27/99)

WESTLAND IRRIGATION DISTRICT
 ENGINEERING FEASIBILITY AND CHANNEL DESIGN SERVICES

**EXISTING WESTLAND DAM
 PLAN AND SECTION**

Scale: As Shown
 Date: November, 1999
 File: \cadd\15227\dwg

Drawing

5

HARZA Engineering Co.

BELLEVUE, WASHINGTON
 (425) 602-4000